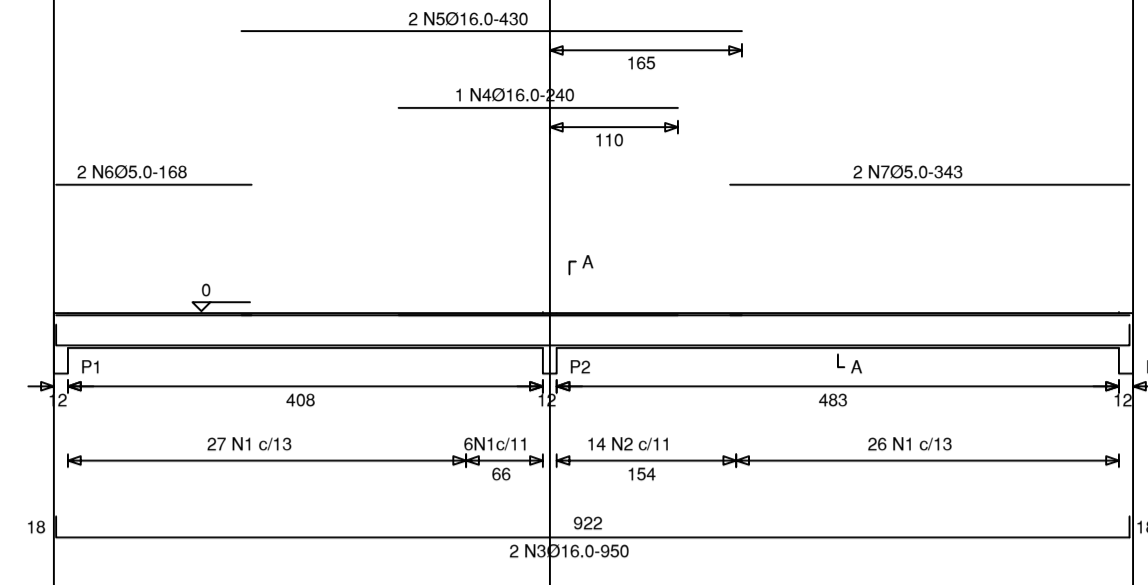
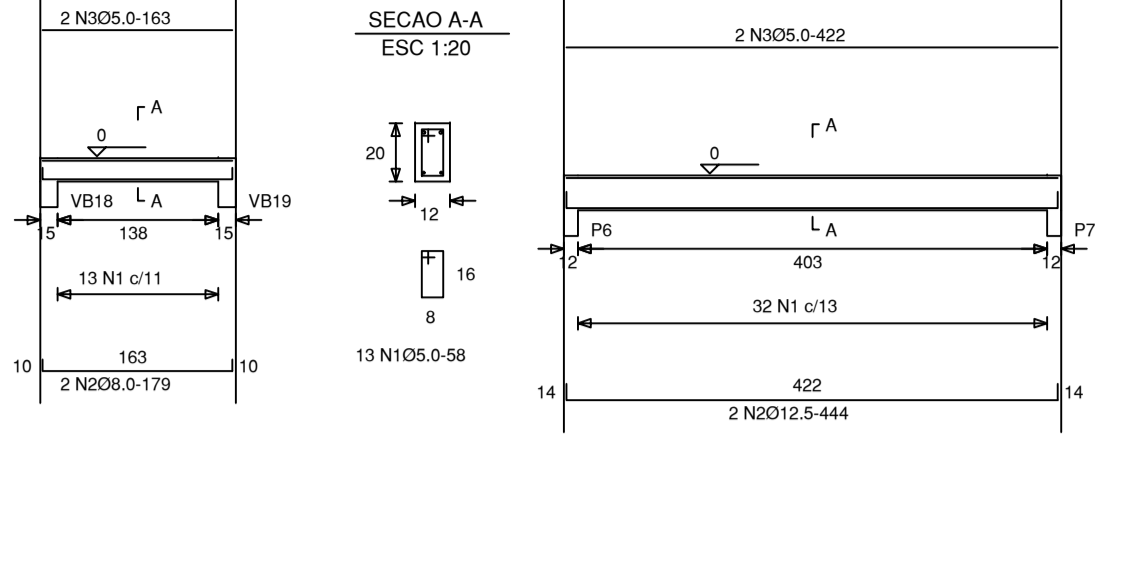


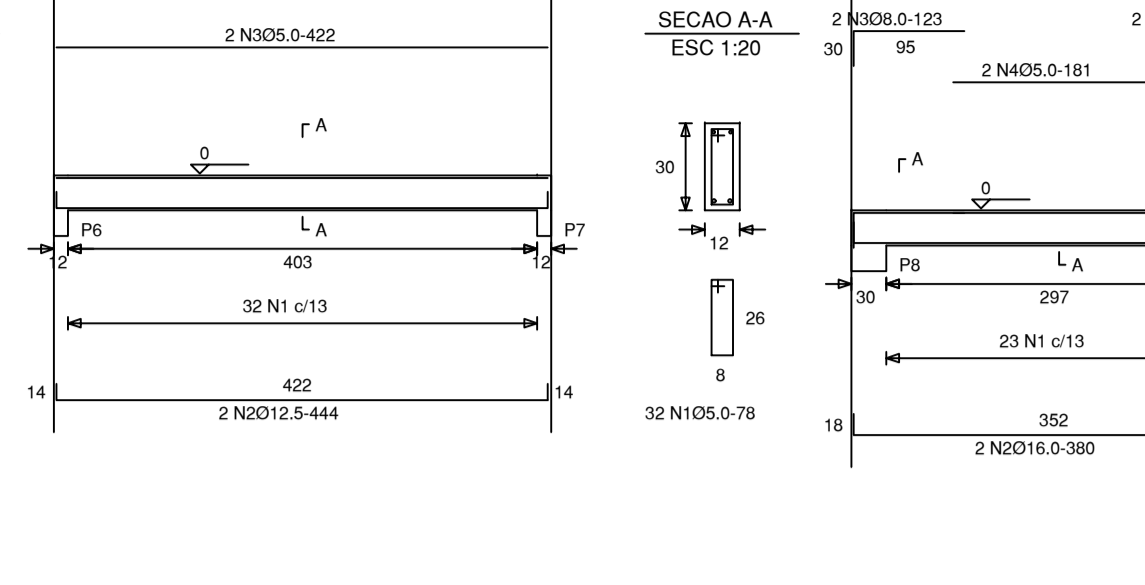
VB1



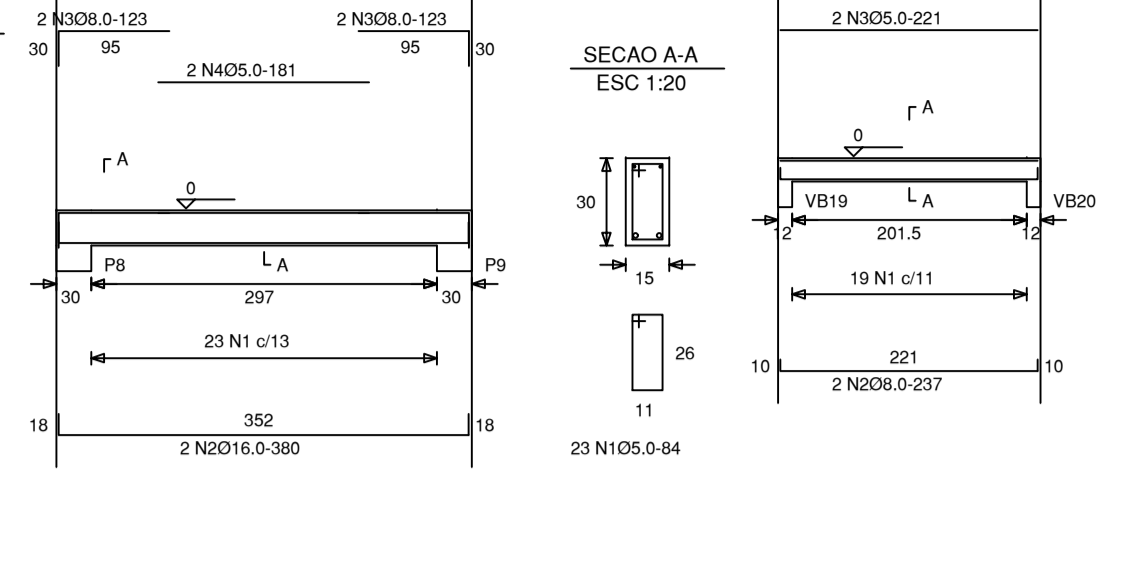
VB2



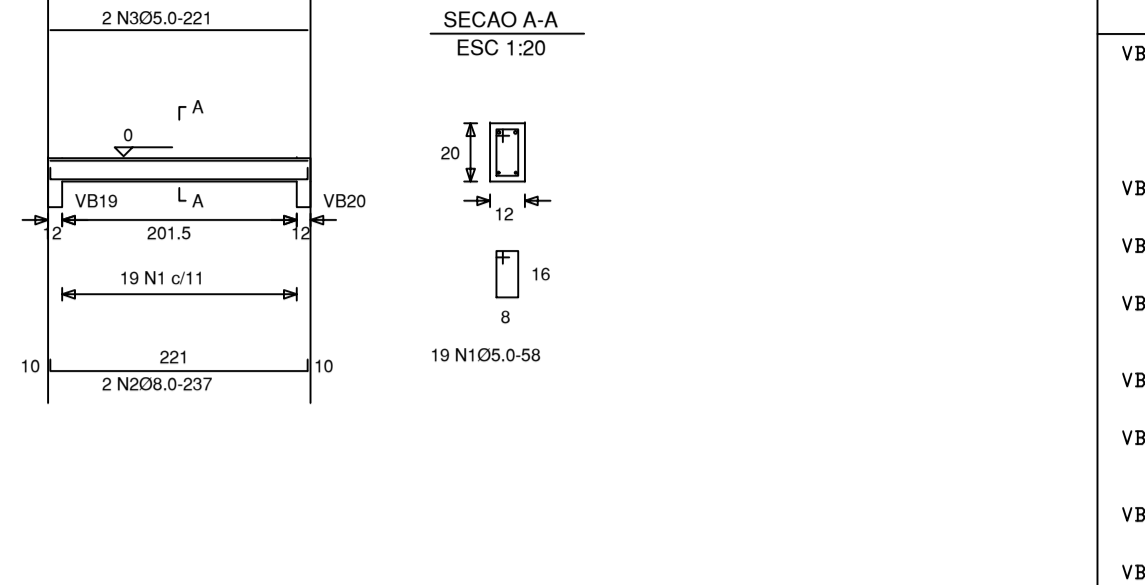
VB3



VB4



VB5



RELACAO DO ACD

Table with columns: VIGA, ACD, N, DIAM, Q, UNIT (cm), C. TOTAL (cm). Lists reinforcement data for beams VB1 through VB20.

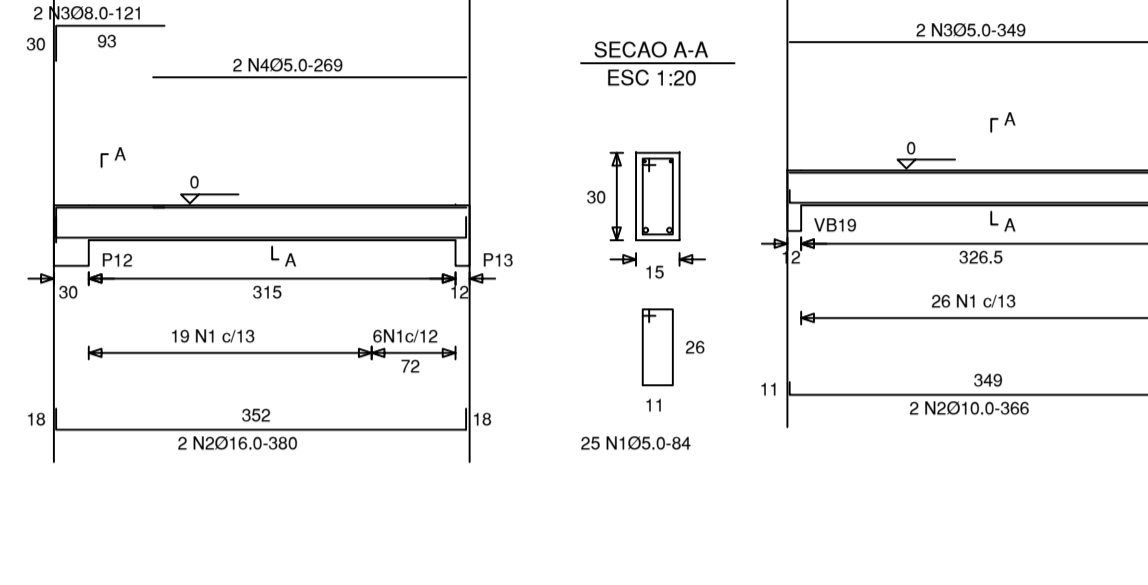
RESUMO DO ACD

Summary table with columns: ACD, DIAM, C. TOTAL (m), PESO+10% (kgf). Totals for CA60 and CA50A.

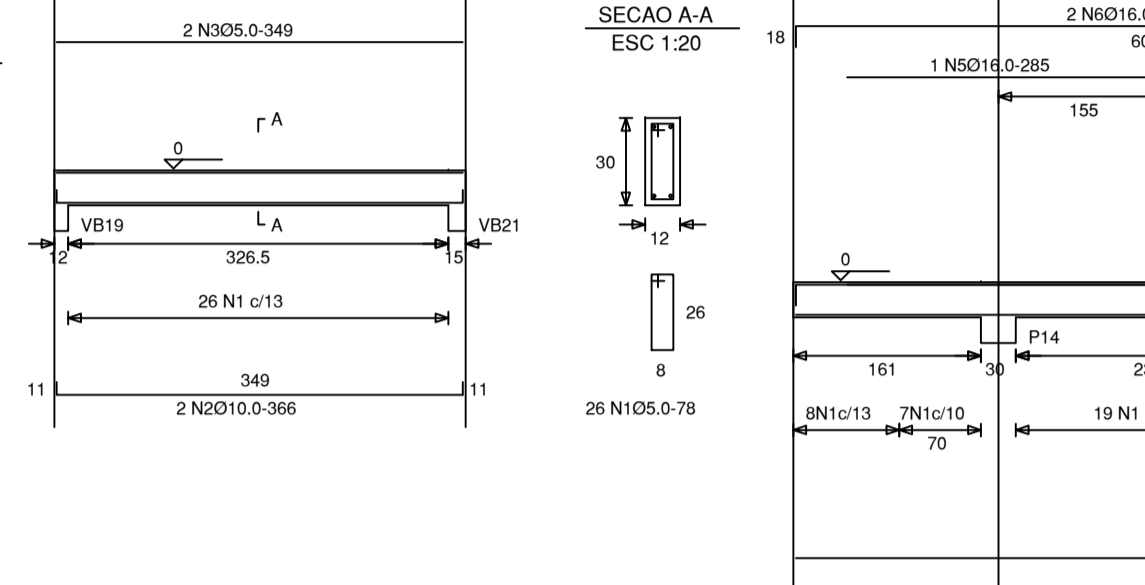
PESO TOTAL: CA60 110 kgf, CA50A 294 kgf. Vol. concreto total = 3,69 m3, Area de forma total = 67,04 m2.

- VIGAS DE BALDRAME  
- CONCRETO fck - 25 MPa

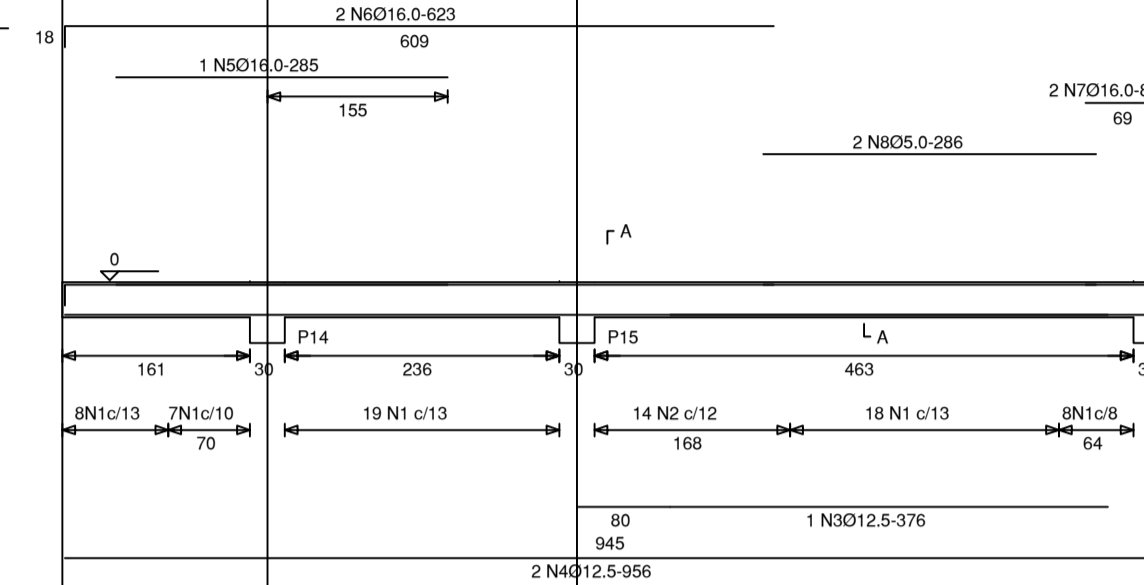
VB6



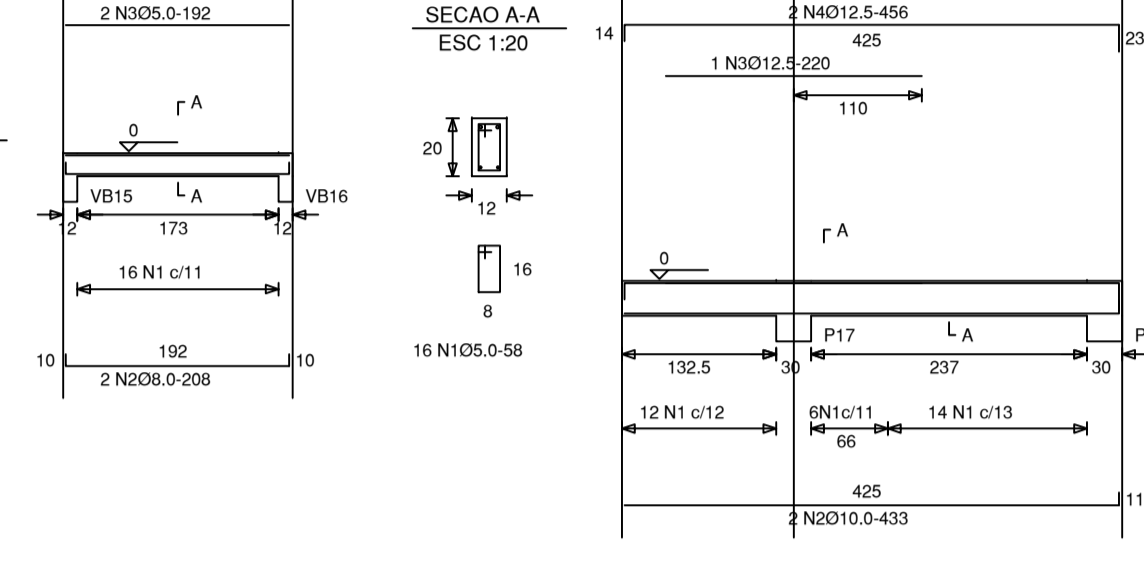
VB7



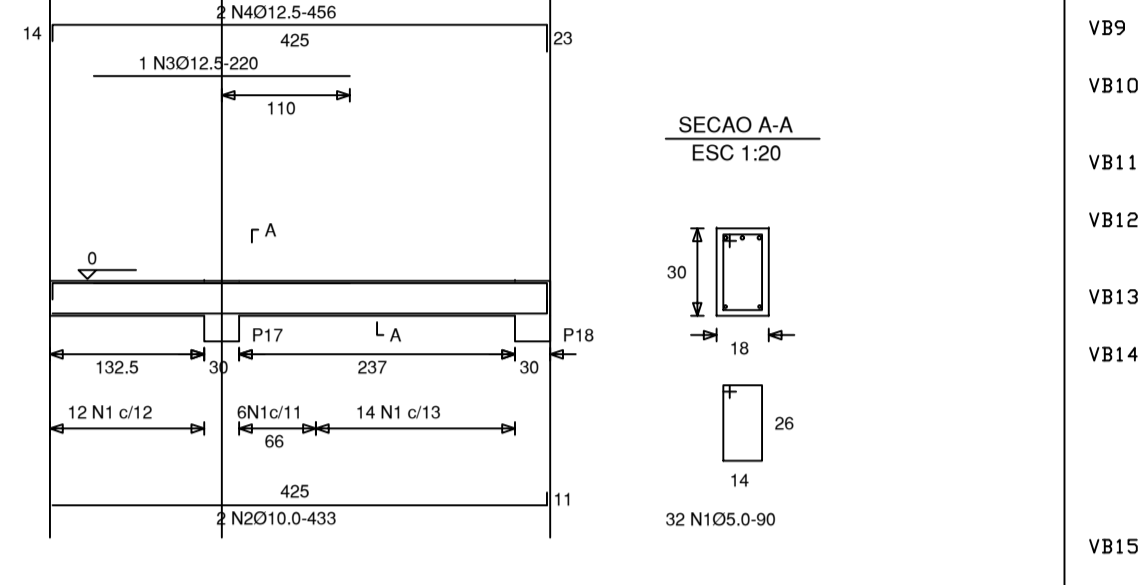
VB8



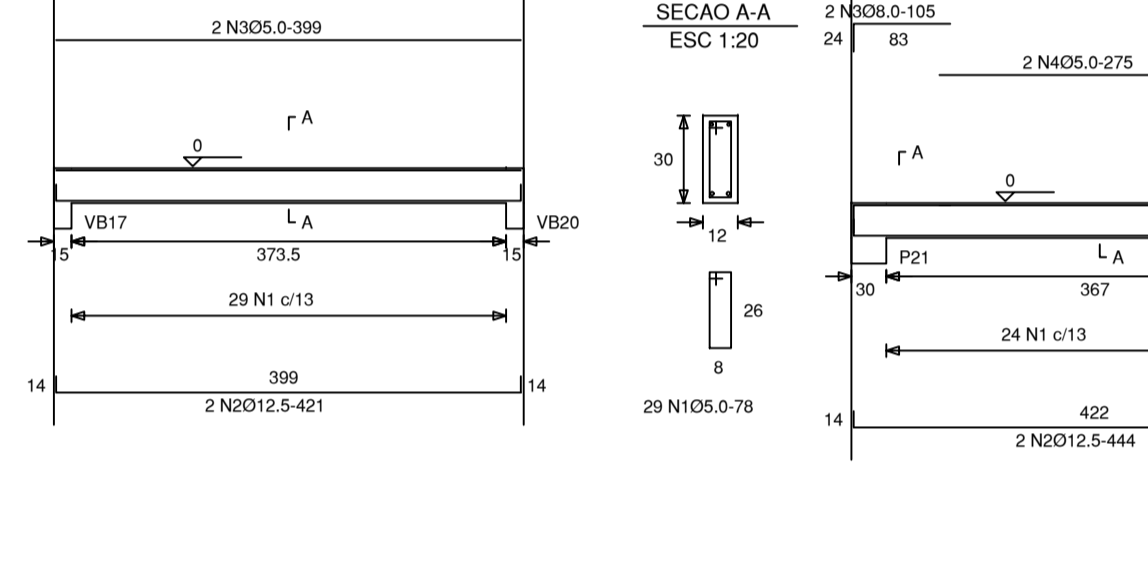
VB9



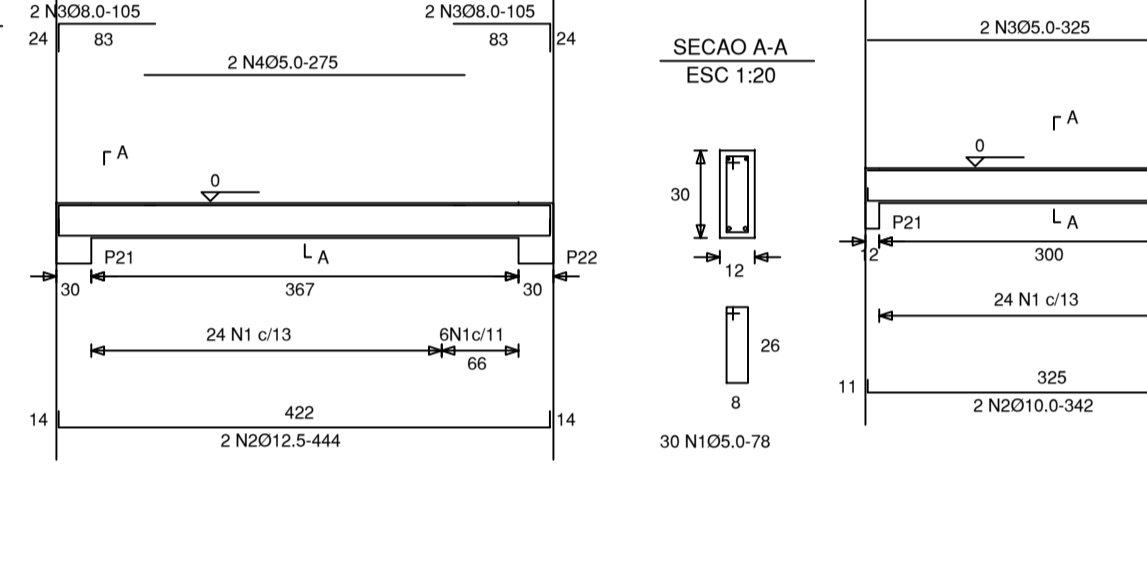
VB10



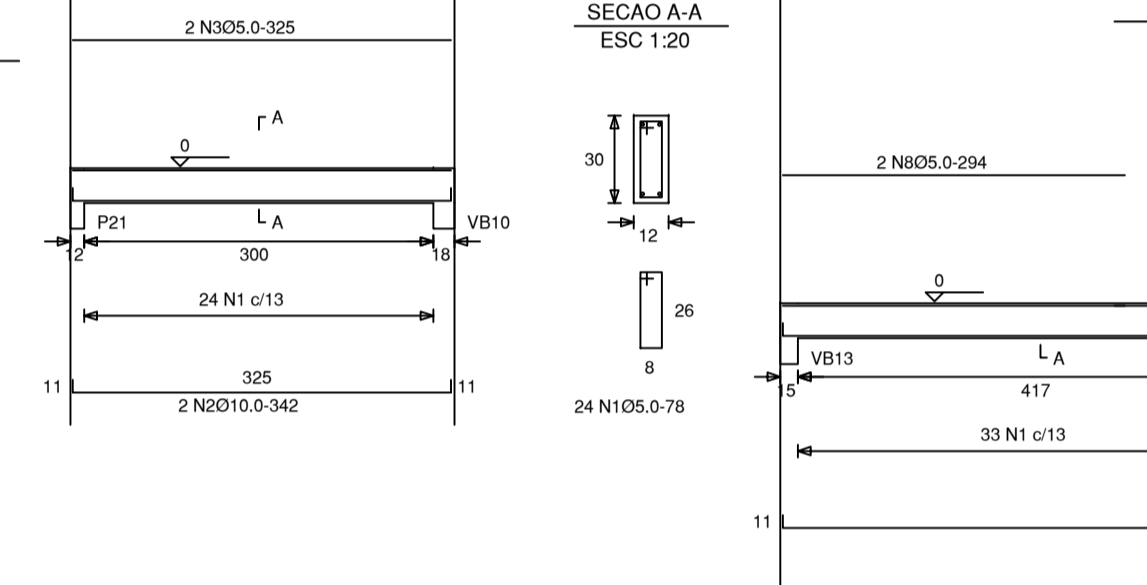
VB11



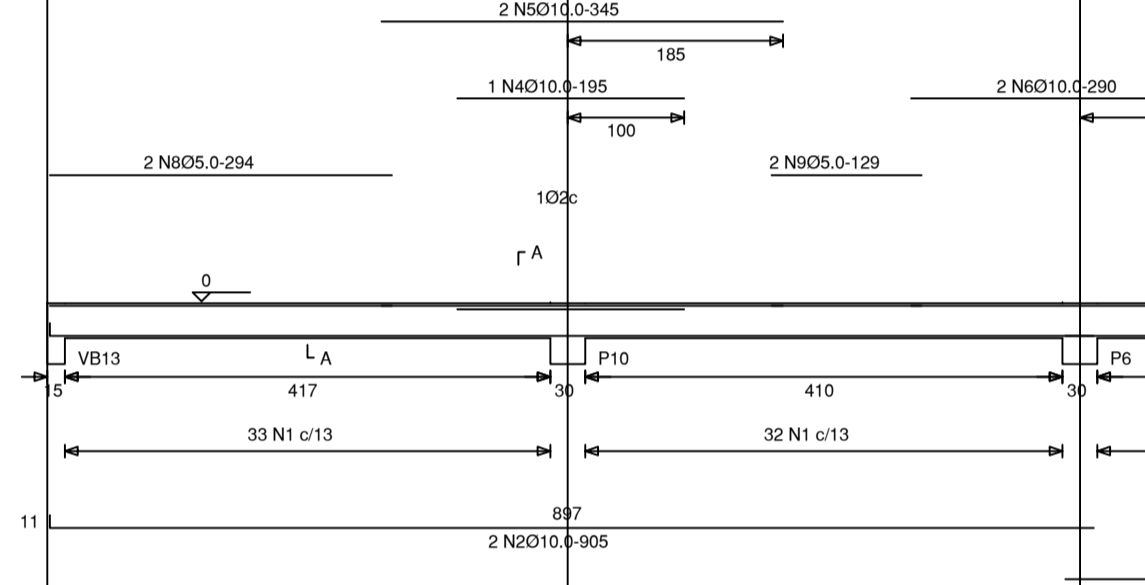
VB12



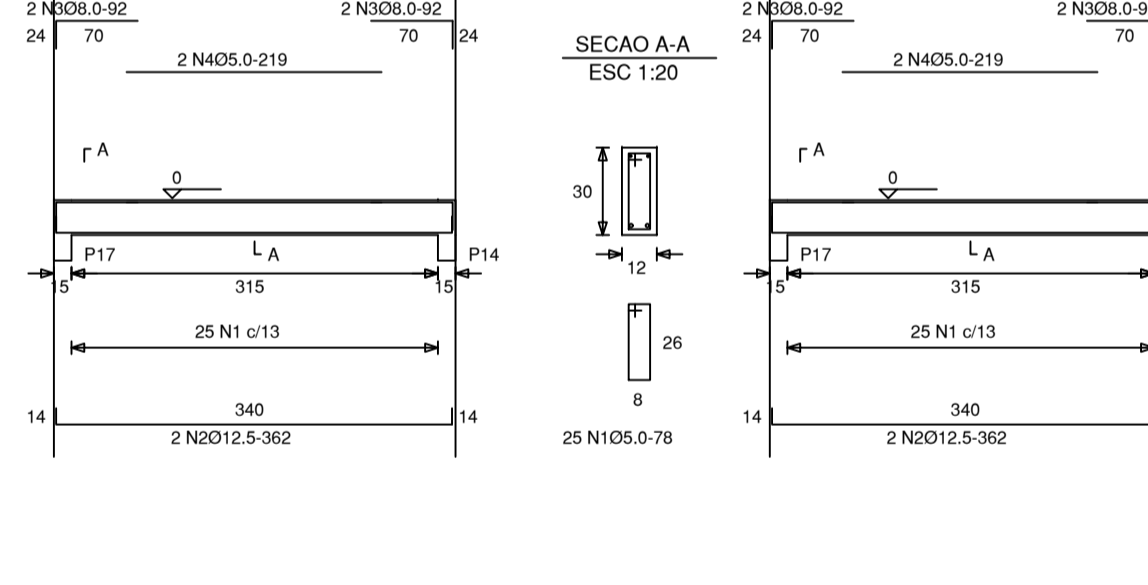
VB13



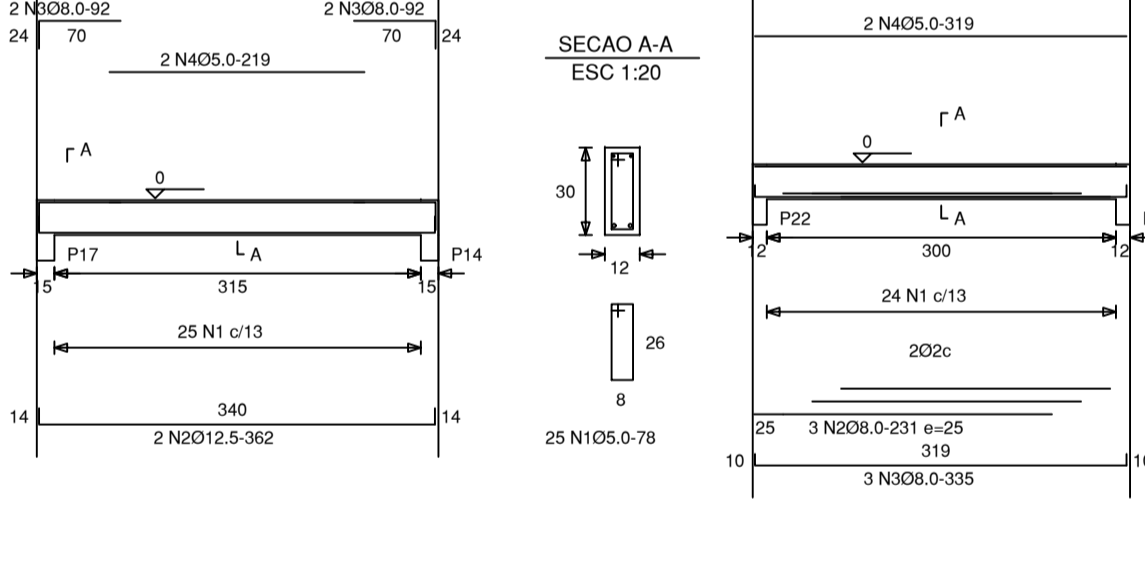
VB14



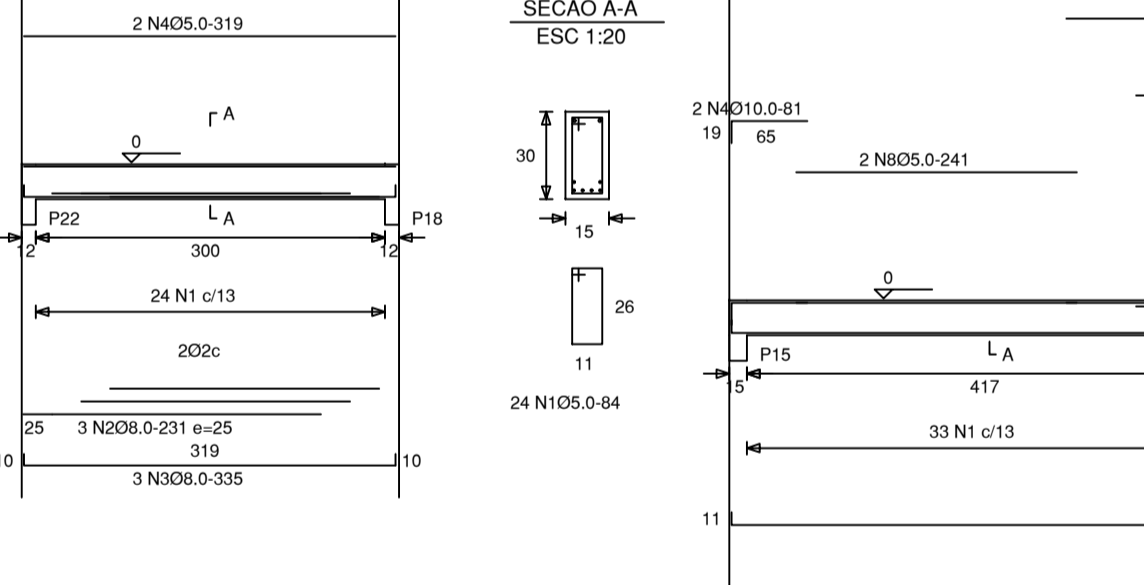
VB15



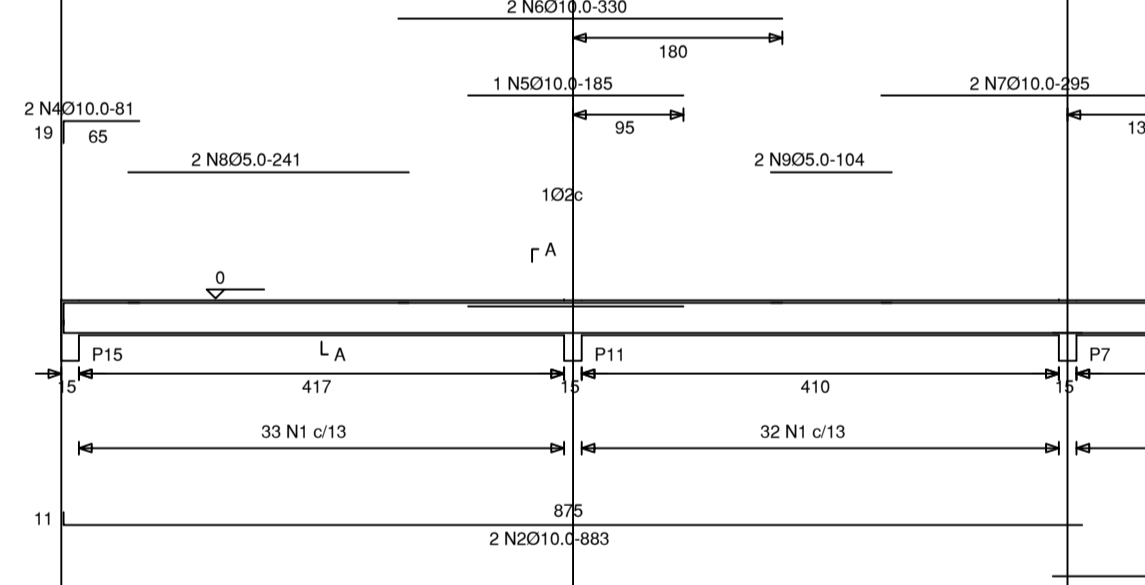
VB16



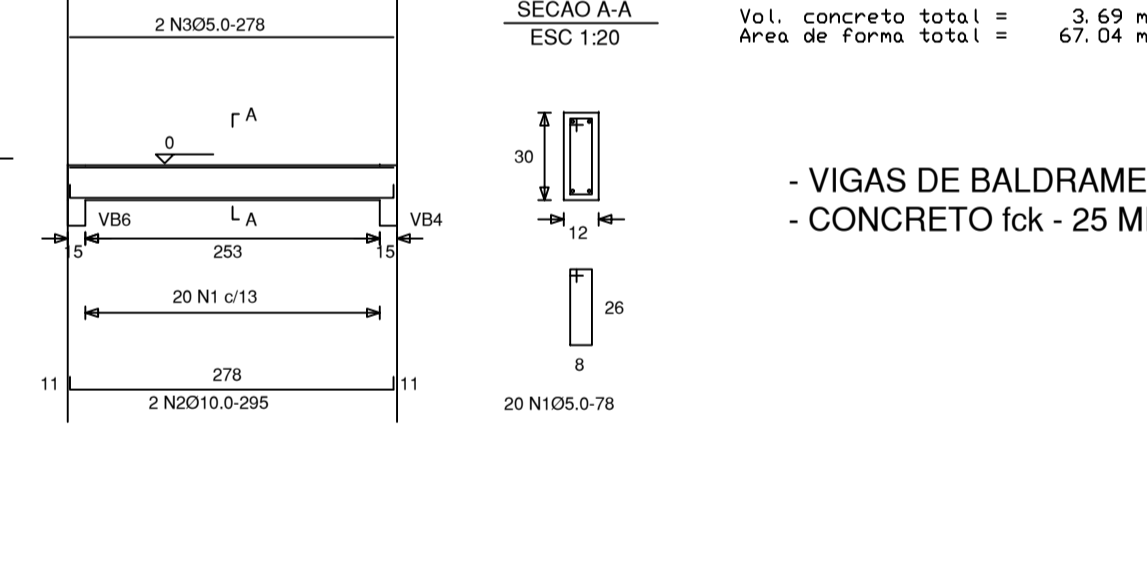
VB17



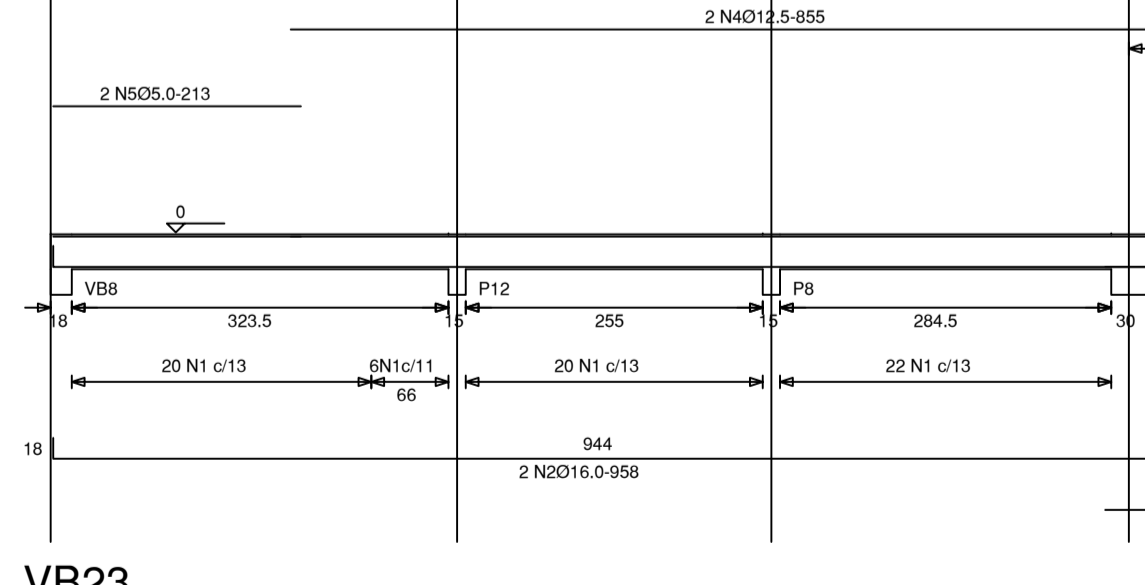
VB18



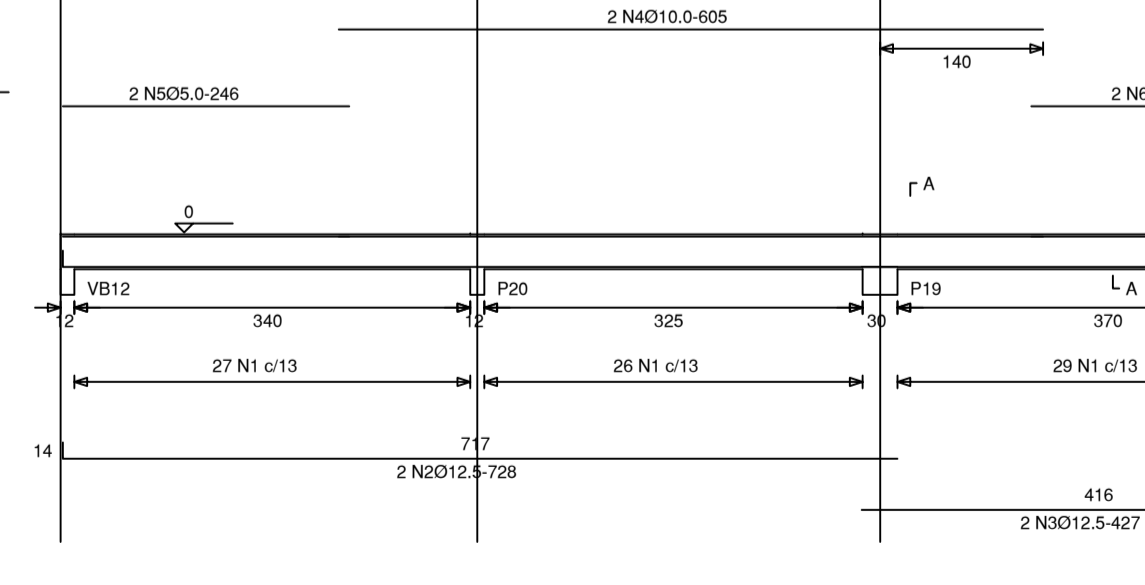
VB20



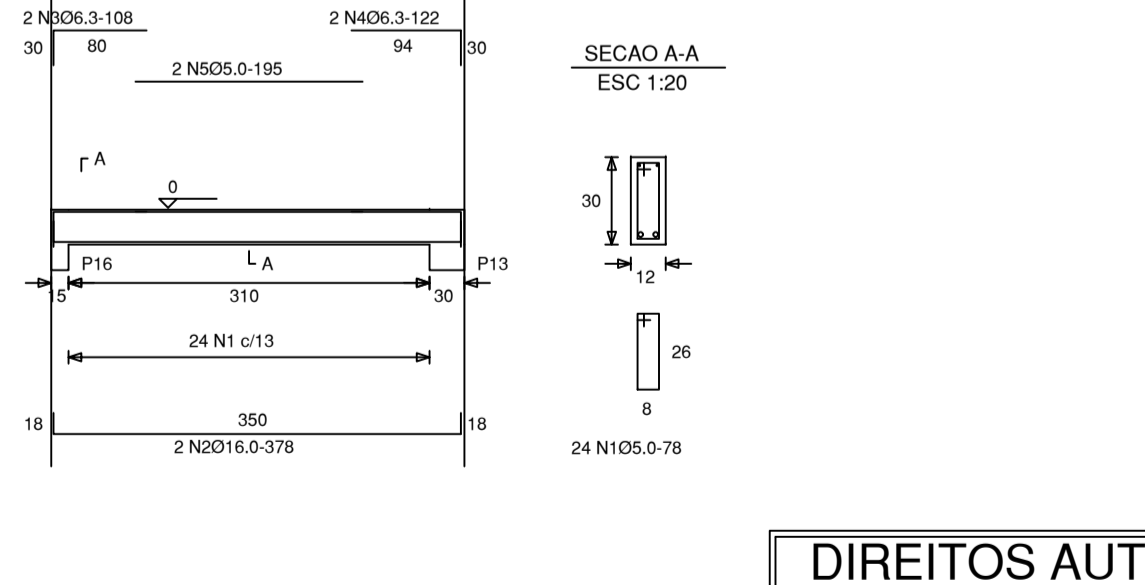
VB19



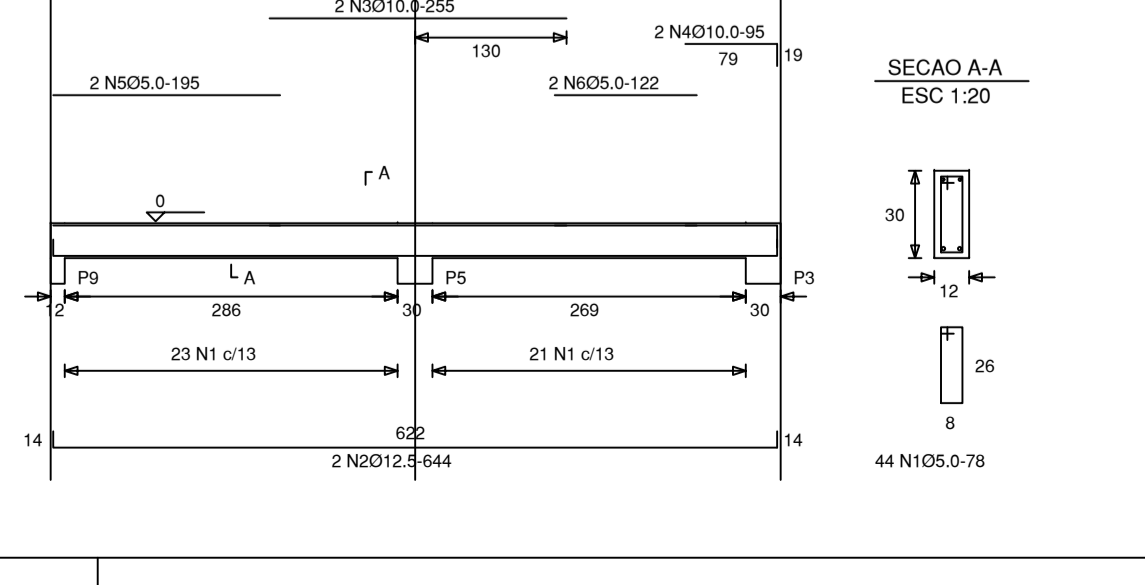
VB21



VB22



VB23



RELACAO DO ACD

Table with columns: VIGA, ACD, N, DIAM, Q, UNIT (cm), C. TOTAL (cm). Lists reinforcement data for beams VB19 through VB23.

RESUMO DO ACD

Summary table with columns: ACD, DIAM, C. TOTAL (m), PESO+10% (kgf). Totals for CA60 and CA50A.

PESO TOTAL: CA60 40 kgf, CA50A 129 kgf. Vol. concreto total = 1,40 m3, Area de forma total = 24,64 m2.

Professional stamp area containing 'DIREITOS AUTORAIS RESERVADOS', project title 'DETALHAMENTO DE VIGAS NÍVEL BALDRAME', and signatures of P. M. PINHEIRO PRETO and FLAVIO ANDRÉ DE OLIVEIRA.